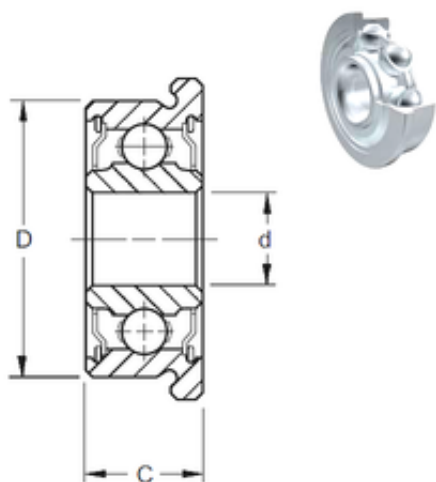




BM Bearing Power Machinery Co., Ltd.



2 mm x 5 mm x 2,5 mm ZEN SMF52-2Z ZEN Bearings

Bearing No. SMF52-2Z

Size	2x5x2.5 mm
Bore Diameter	2 mm
Outer Diameter	5 mm
Width	2,5 mm
d	2 mm
D	5 mm
B	2,5 mm
C	2,5 mm
Basic dynamic load rating (C)	0,169 kN
Basic static load rating (C0)	0,05 kN

SMF52-2Z Bearing 2D drawings and 3D CAD models