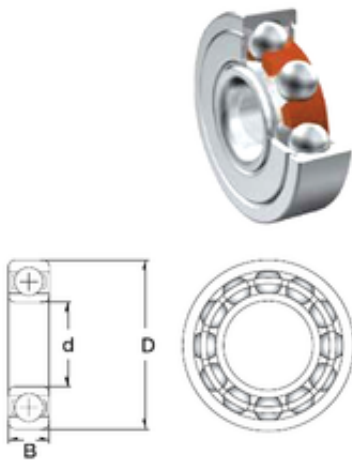




BM Bearing Power Machinery Co., Ltd.

7 mm x 19 mm x 6 mm ZEN 607-2Z.T9H.C3 ZEN Bearings

Bearing No. 607-2Z.T9H.C3



Size	7x19x6 mm
Bore Diameter	7 mm
Outer Diameter	19 mm
Width	6 mm
d	7 mm
D	19 mm
B	6 mm
C	6 mm
Weight	0,008 Kg
Basic dynamic load rating (C)	2,34 kN
Basic static load rating (C0)	0,885 kN

607-2Z.T9H.C3 Bearing 2D drawings and 3D CAD models