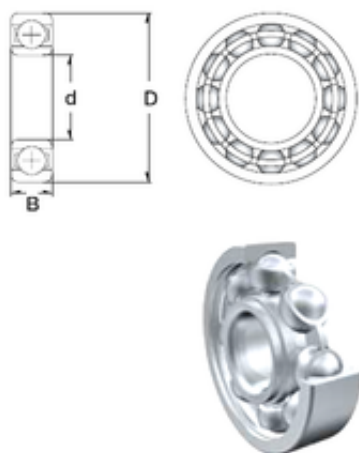




BM Bearing Power Machinery Co., Ltd.



6 mm x 10 mm x 2,5 mm ZEN MR106 ZEN Bearings

Bearing No. MR106

Size	6x10x2.5 mm
Bore Diameter	6 mm
Outer Diameter	10 mm
Width	2,5 mm
d	6 mm
D	10 mm
B	2,5 mm
C	2,5 mm
Basic dynamic load rating (C)	0,496 kN
Basic static load rating (C0)	0,218 kN
(Grease) Lubrication Speed	45000 r/min

MR106 Bearing 2D drawings and 3D CAD models