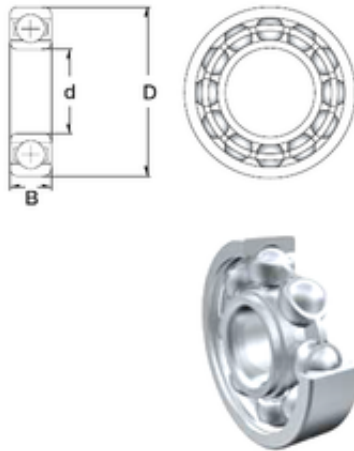




BM Bearing Power Machinery Co., Ltd.



200 mm x 310 mm x 34 mm ZEN 16040 ZEN Bearings

Bearing No. 16040

Size	200x310x34 mm
Bore Diameter	200 mm
Outer Diameter	310 mm
Width	34 mm
d	200 mm
D	310 mm
B	34 mm
C	34 mm
Weight	8,85 Kg
Basic dynamic load rating (C)	128 kN
Basic static load rating (C0)	142 kN

16040 Bearing 2D drawings and 3D CAD models