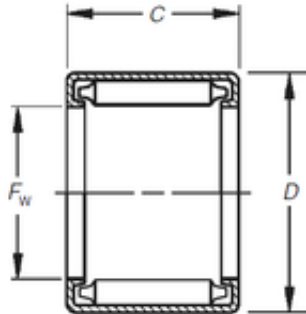




BM Bearing Power Machinery Co., Ltd.

Timken B-2420 Timken Bearings



Bearing No. B-2420

| | |
|-------------------------------|----------------------|
| Size | 38.1x47.625x31.75 mm |
| Bore Diameter | 38,1 mm |
| Outer Diameter | 47,625 mm |
| Width | 31,75 mm |
| Fw | 38,1 mm |
| D | 47,625 mm |
| C | 31,75 mm |
| Weight | 0,119 Kg |
| Basic dynamic load rating (C) | 61,8 kN |
| Basic static load rating (C0) | 138 kN |
| (Grease) Lubrication Speed | 2800 r/min |

B-2420 Bearing 2D drawings and 3D CAD models