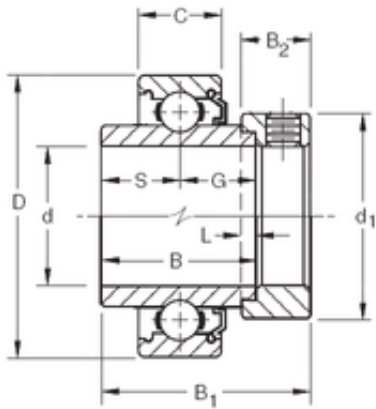




BM Bearing Power Machinery Co., Ltd.

22,225 mm x 52 mm x 34,92 mm Timken 1014KL Timken Bearings



Bearing No. 1014KL

Size	22.225x52x34.92 mm
Bore Diameter	22,225 mm
Outer Diameter	52 mm
Width	34,92 mm
d	22,225 mm
D	52 mm
B	34,92 mm
C	15 mm
d1	38,1 mm
B1	44,45 mm
B2	13,49 mm
G	17,46 mm
L	3,97 mm
S	17,46 mm
Weight	0,277 Kg
Basic dynamic load rating (C)	15,8 kN

1014KL Bearing 2D drawings and 3D CAD models