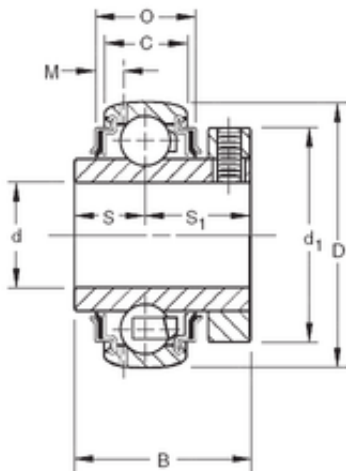




BM Bearing Power Machinery Co., Ltd.



44,45 mm x 85 mm x 46,83 mm Timken GC1112KRRB Timken Bearings

Bearing No. GC1112KRRB

Size	44.45x85x46.83 mm
Bore Diameter	44,45 mm
Outer Diameter	85 mm
Width	46,83 mm
d	44,45 mm
D	85 mm
B	46,83 mm
C	22 mm
S1	29,4 mm
O	32,21 mm
d1	73 mm
M	4,55 mm
S	17,5 mm
Thread (G)	M8x1,25
Weight	0,826 Kg
Basic dynamic load rating (C)	36,3 kN

GC1112KRRB Bearing 2D drawings and 3D CAD models